



Steep Slope Guardrail Bracket

Part #65014

Warning: Read and follow instructions. Using this product incorrectly could result in personal injury or death. Consult local, State, and Federal OSHA regulations prior to use.

General Instructions: use (3) #9 x 3" Deck Screws or #12 x 2.5" wood screws only. These must be fastened into truss or rafter through the 3 holes on the base of the bracket. The brackets must be placed on 8' centers or less. 2 x 4's are required on both top and midrail with a 2 x 6 for the toe board. Max roof pitch for the residential guardrail system is 16/12. Set the adjustable post to a plumb or vertical position, insert bolt in the appropriate hole and tighten wing nut.

Always erect and use in accordance with Local, State, Federal OSHA regulations.

Capacity: One worker per eight feet of scaffolding plus 40 lbs of materials.

Mounting the Guard Rail System:

Base of the brackets should be mounted on the roof using (3) #9 x 3" deck screws or #12 x 2.5" wood screws only. These must be fastened into a truss or rafter using all 3 holes on the bracket. Screws must go through the outer roof surface and into a rafter or truss chord. Spacing between roof brackets shall not be more than 8 feet apart.

1. Prior to use, adjust post to a plumb or vertical position to the roof it will be mounted to.
2. Adjust post by placing the bolt in the appropriate hole and secure with wing nut, tighten firmly. (one extra bolt and wing nut supplied on guardrail.)

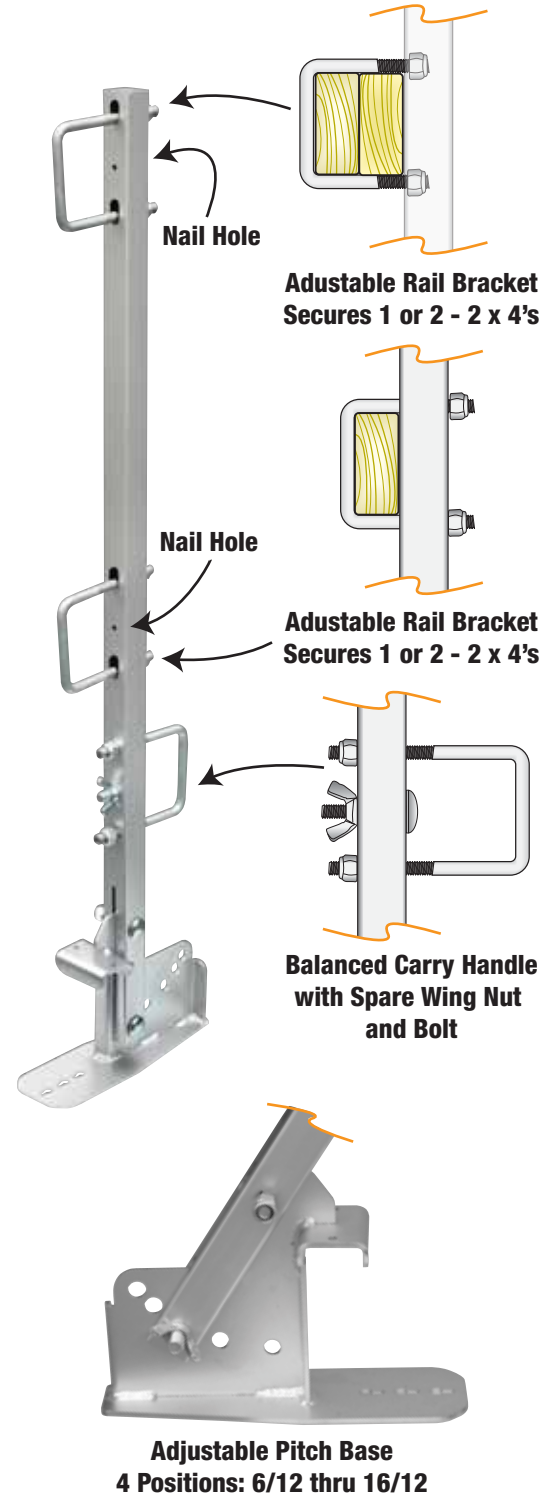
Setting the work platform or toe board:

Toe board platforms should be 2 in x 6 in nominal thickness and extend beyond the bracket not less than 6 in and not more than 12 in. Always use clear, Straight-grained wood that is free from all knots or defects. If extended length platforms are required, use additional brackets every 8 feet. Inspect that wood is structurally sound.

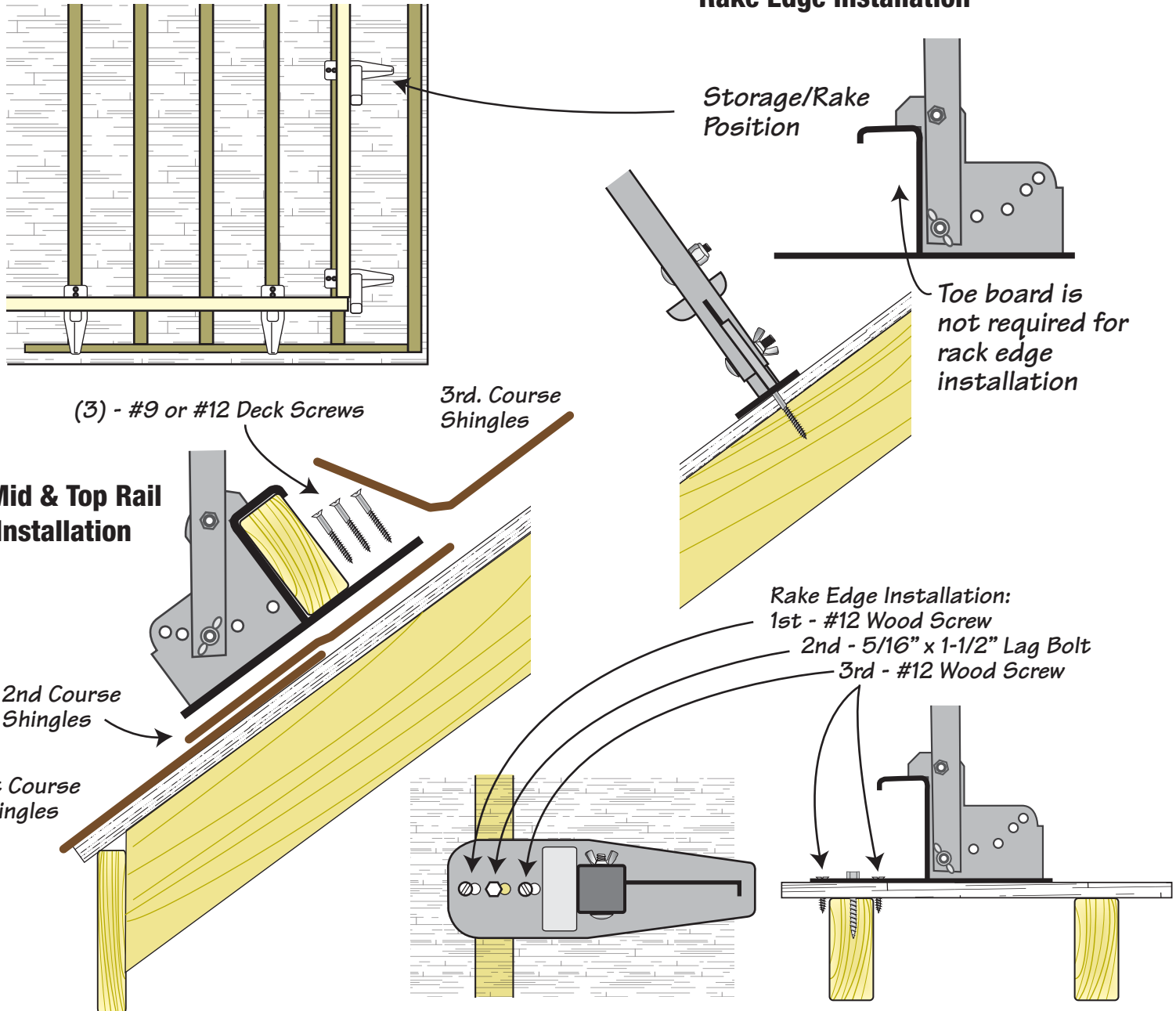
Setting the Mid and Top 2 x 4 Guard Rails:

Allow 1 ft. overlap of 2 x 4's on each side of middle Stanchions forming a Guardrail using 3 or more Stanchions. End Guard Rail 2 x 4's should extend a minimum of 1 foot beyond the end stanchions. Rail brackets are pre-set for holding single 2 x 4's (bracket nuts are on the outside of the Stanchion tube). Before placing "overlapping" 2 x 4's into the brackets, adjust brackets by lifting up and pulling through key holes - the bracket nuts then rest inside the post. To secure 2 x 4 rails insert and drive a nail from the backside of the Stanchion into the 2 x 4 (see nail hole provided between bracket slots). Also securely nail together any overlapping 2 x 4's from the front side .

1. No more than one person shall occupy given 8 ft of any roofing bracket scaffold.
2. Always use OSHA compliant fall arrest system, guardrails, or other equipment as required by Federal OSHA regulations.
3. Guardrail brackets are meant for use by experienced contractors having knowledge in its use. OSHA regulations require that employer provide training in the use and care of this product.



Rake Edge Installation



Rake Edge Mounting Installation

Rake edge installation:

Place steep slope guardrail on the 1st rafter/truss chord from the edge. The heel of the guardrail bracket should be closest to the edge of the roof with the mounting holes toward the main roof. The guardrail post should be in the storage or rake position (see diagram). Use one 5/16" x 1-1/2" lag bolt screw fastened through the bracket and into the truss. Inspect that the lag bolt has penetrated the truss before using #12 x 1" wood screws into the decking. Repeat the previous installation up the rake edge of the roof and install top and midrails.

Care And Maintenance:

1. Inspect guard rail system before and after each use to be sure that there is no damage or deformation to any of the equipment.
2. Inspect that there is no deterioration as a result of rusting or neglect, discard.
3. Handle the guardrail system and its parts with care to ensure both safety and longer life.
4. Do not throw or drop any roofing equipment. Always handle with care.
5. Do not use if exposed to extreme heat or cold. Discard at once.
6. Do not use if wet or frozen.